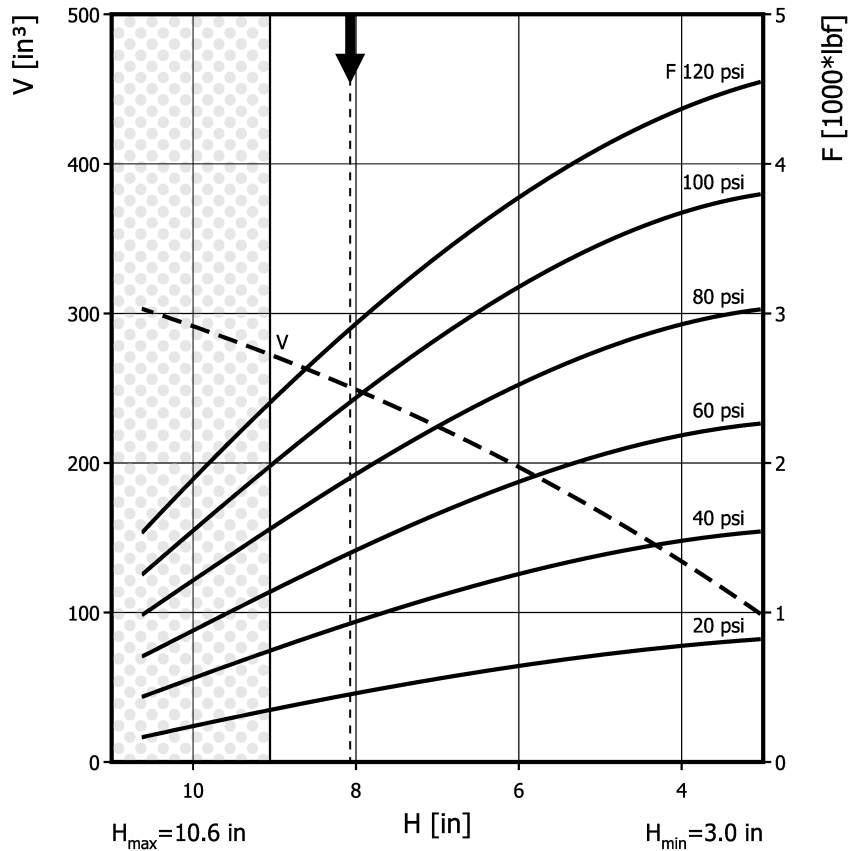
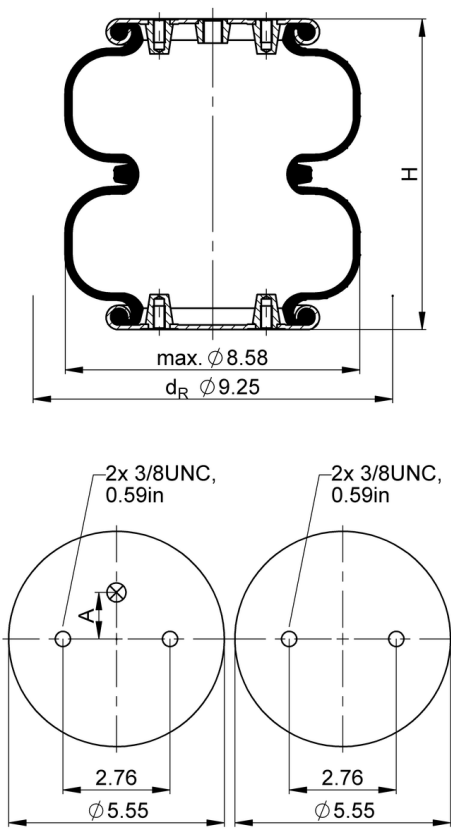


## FD 120-20 CI

## Double Convolution Air Actuator



Use in dotted range &gt;9.06 in. only after consultation with ContiTech



Recommended height for vibration isolation: 8.07 in.

## Purchase order data

Type	Order No.
rubber bellows only	75596
with crimped plates, 1/4 NPT air inlet A = 0 in. excentrical	74559
with crimped plates, 3/4 NPT air inlet A = 0 in. excentrical	75227

Additional types on request

## Technical data

Min. pressure	0	psi
Return force to min height	≤ 45	lbf
Overall weight	5.1	lb

**Vibration isolation - dynamic characteristic values**

 Design height  $H$ : recommended 8.07 inch, minimum 7.48 inch

Pressure $p$	[psi]	40	60	80	100	120	Vol. V [in <sup>3</sup> ]
Force (Load)	[lbf]	885	1350	1840	2320	2820	240
Spring rate	[lbf/in.]	375	517	655	794	929	
Natural frequency	[Hz]	2.0	1.9	1.9	1.8	1.8	

**Pneumatic application - static characteristic values**

 Force  $F$  [lbf]

Pressure $p$	[psi]	40	60	80	100	120	Vol. V [in <sup>3</sup> ]
Height $H$ [in.]	7.5	979	1490	2020	2560	3120	220
	6.0	1210	1820	2450	3090	3760	180
	4.5	1410	2120	2840	3570	4310	130



Service instructions  
 3/8-16 UNC: max. 20 lbf ft  
 1/4 NPT: max. 20 lbf ft  
 3/4 NPT: max. 40 lbf ft

**Measuring procedure:** Room temperature / Force-height-data quasistatic / Dynamic data at 1 Hz