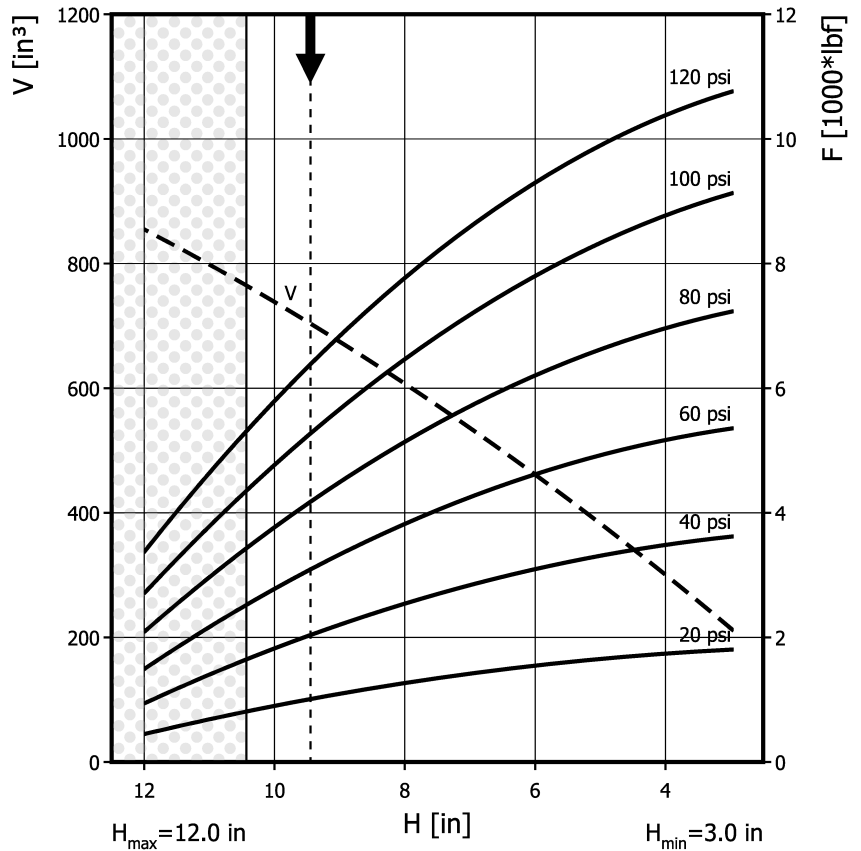
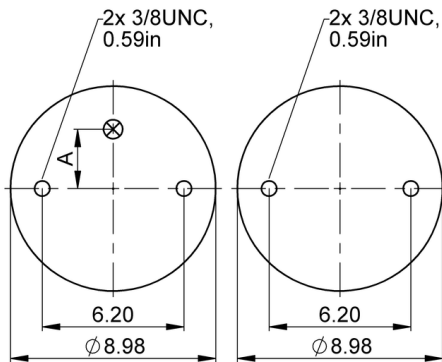
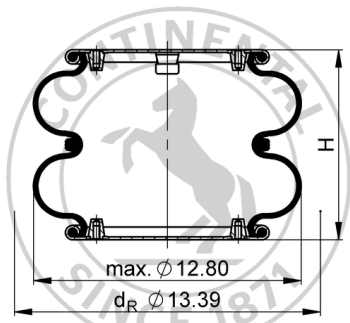


## FD 330-22 CI

## Double Convolution Air Actuator



Use in dotted range >10.40 in. only after consultation with ContiTech

Recommended height for vibration isolation: 9.45 in.

## Purchase order data

| Type   | Order No. |
|--|-----------|
| rubber bellows only  | 65196     |
| with crimped plates, 1/4 NPT air inlet<br>A = 2.87 in. excentrical | 74186     |
| with crimped plates, 3/4 NPT air inlet<br>A = 2.87 in. excentrical | 63561     |

Additional types on request

## Technical data

|                            |      |     |
|----------------------------|------|-----|
| Min. pressure              | 0    | psi |
| Return force to min height | ≤ 67 | lbf |
| Overall weight             | 10.6 | lb  |

**Vibration isolation - dynamic characteristic values**

Design height H: recommended 9.45 inch, minimum 8.66 inch

| Pressure p        | [psi]     | 40   | 60   | 80   | 100  | 120  | Vol. V [in.³] |
|-------------------|-----------|------|------|------|------|------|---------------|
| Force (Load)      | [lbf]     | 2070 | 3090 | 4210 | 5340 | 6420 |               |
| Spring rate       | [lbf/in.] | 865  | 1110 | 1350 | 1600 | 1840 |               |
| Natural frequency | [Hz]      | 2.0  | 1.9  | 1.8  | 1.7  | 1.7  |               |

**Pneumatic application - static characteristic values**

Force F [lbf]

| Pressure p     | [psi] | 40   | 60   | 80   | 100  | 120   | Vol. V [in.³] |
|----------------|-------|------|------|------|------|-------|---------------|
| Height H [in.] | 10.5  | 1620 | 2460 | 3360 | 4280 | 5200  |               |
|                | 9.0   | 2220 | 3340 | 4510 | 5700 | 6850  |               |
|                | 7.5   | 2690 | 4040 | 5420 | 6800 | 8150  |               |
|                | 6.0   | 3070 | 4610 | 6190 | 7770 | 9280  |               |
|                | 4.5   | 3390 | 5030 | 6780 | 8560 | 10200 |               |



Service instructions  
 3/8-16 UNC: max. 20 lbf ft  
 1/4 NPT: max. 20 lbf ft  
 3/4 NPT: max. 40 lbf ft

Measuring procedure: Room temperature / Force-height-data quasistatic / Dynamic data at 1 Hz