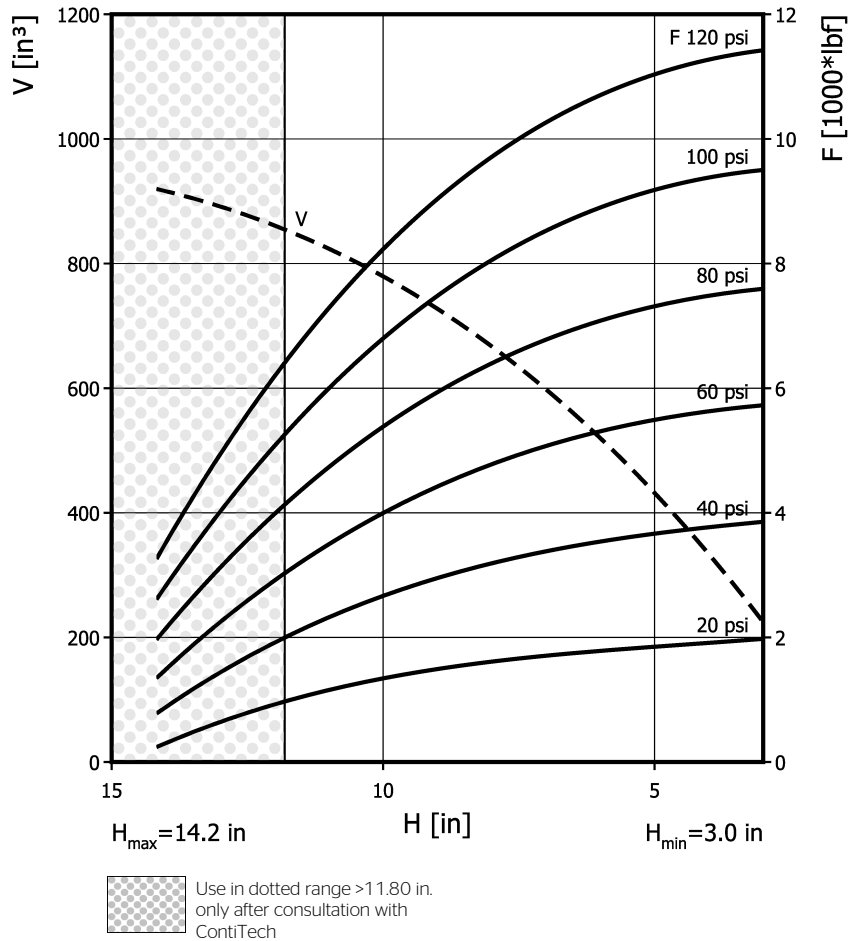
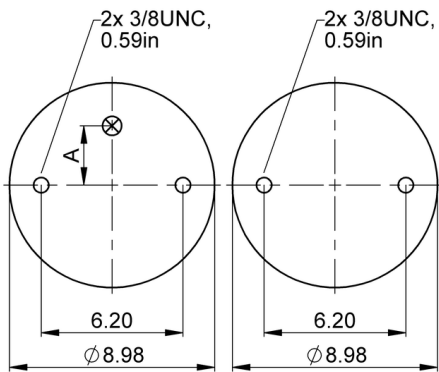
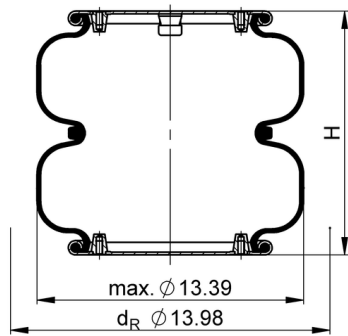


FD 330-30 CI

Double Convolution Air Actuator



Purchase order data

Technical data

Type	Order No.
rubber bellows only	70408
with crimped plates, 1/4 NPT air inlet A = 2.88 in. excentrical	74263
with crimped plates, 3/4 NPT air inlet A = 2.87 in. excentrical	74095

Additional types on request

Min. pressure	0 psi
Return force to min height	≤ 67 lbf
Overall weight	11.2 lb

Pneumatic application - static characteristic values

Force F [lbf]	Pressure p [psi]	40	60	80	100	120	Vol. V [in.³]
Height H [in.]	12.0	1930	2930	4010	5110	6220	860
	10.5	2490	3750	5050	6400	7770	800
	9.0	2930	4400	5910	7440	8980	730
	7.5	3260	4890	6540	8240	9940	630
	6.0	3550	5310	7100	8930	10700	520
	4.5	3740	5590	7420	9300	11200	390



Service instructions
 3/8-16 UNC: max. 20 lbf ft
 1/4 NPT: max. 20 lbf ft
 3/4 NPT: max. 40 lbf ft

Measuring procedure: Room temperature / Force-height-data quasistatic / Dynamic data at 1 Hz