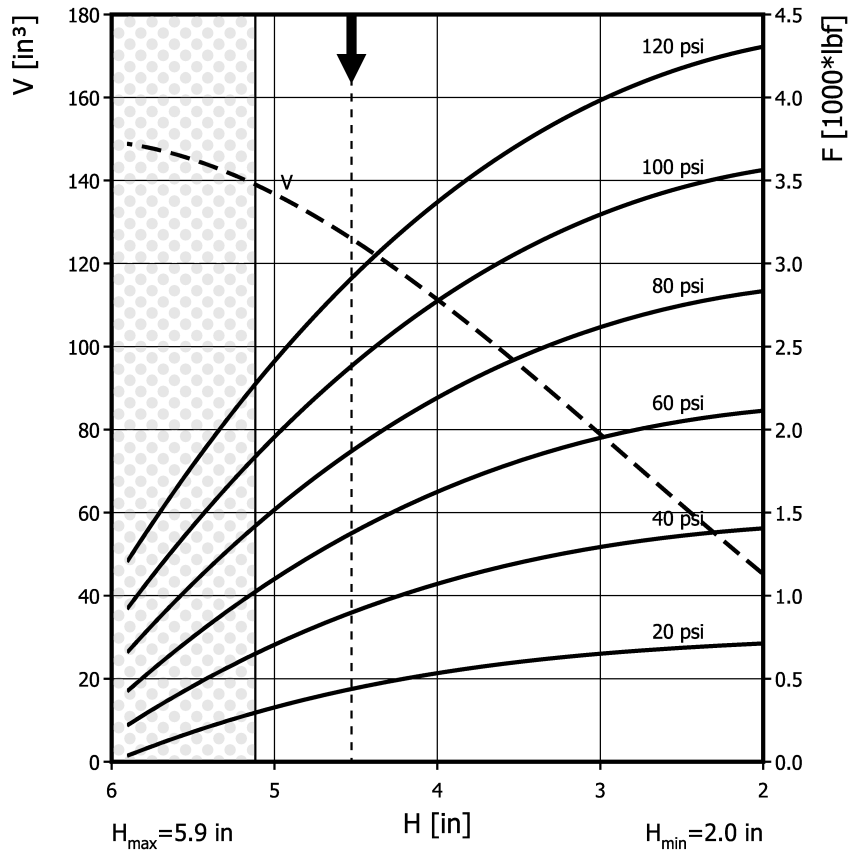
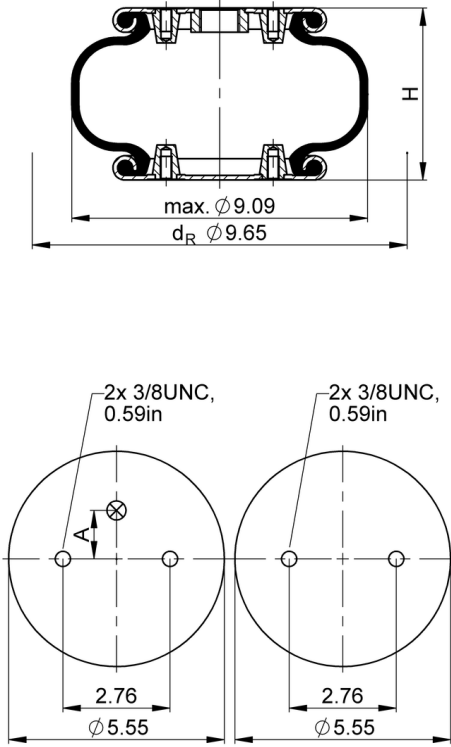


FS 120-10 CI

Single Convolution Air Actuator



Use in dotted range >5.12 in. only after consultation with ContiTech
 Recommended height for vibration isolation: 4.53 in.

Purchase order data

Type	Order No.
rubber bellows only	62828
with crimped plates, 1/4 NPT air inlet A = 0 in. excentrical	75229
with crimped plates A = 0 in. excentrical	75248

Additional types on request

Technical data

Min. pressure	0 psi
Return force to min height	≤ 45 lbf
Overall weight	4.4 lb

Vibration isolation - dynamic characteristic values

Design height H: recommended 4.53 inch, minimum 3.94 inch

Pressure p [psi]	40	60	80	100	120	Vol. V [in.³]
Force (Load) [lbf]	1010	1400	1870	2370	2860	
Spring rate [lbf/in.]	724	992	1270	1530	1790	
Natural frequency [Hz]	2.8	2.7	2.6	2.5	2.5	

Pneumatic application - static characteristic values

Force F [lbf]

Pressure p [psi]	40	60	80	100	120	Vol. V [in.³]	
Height H [in.]	5.0	702	1100	1510	1950		2410
	4.5	906	1390	1890	2400		2930
	4.0	1070	1620	2180	2770		3360
	3.5	1200	1810	2430	3060		3710
	3.0	1290	1950	2620	3300		3980
2.5	1360	2050	2750	3460	4180		

Service instructions
 3/8-16 UNC: max. 20 lbf ft
 1/4 NPT: max. 20 lbf ft

Measuring procedure: Room temperature / Force-height-data quasistatic / Dynamic data at 1 Hz