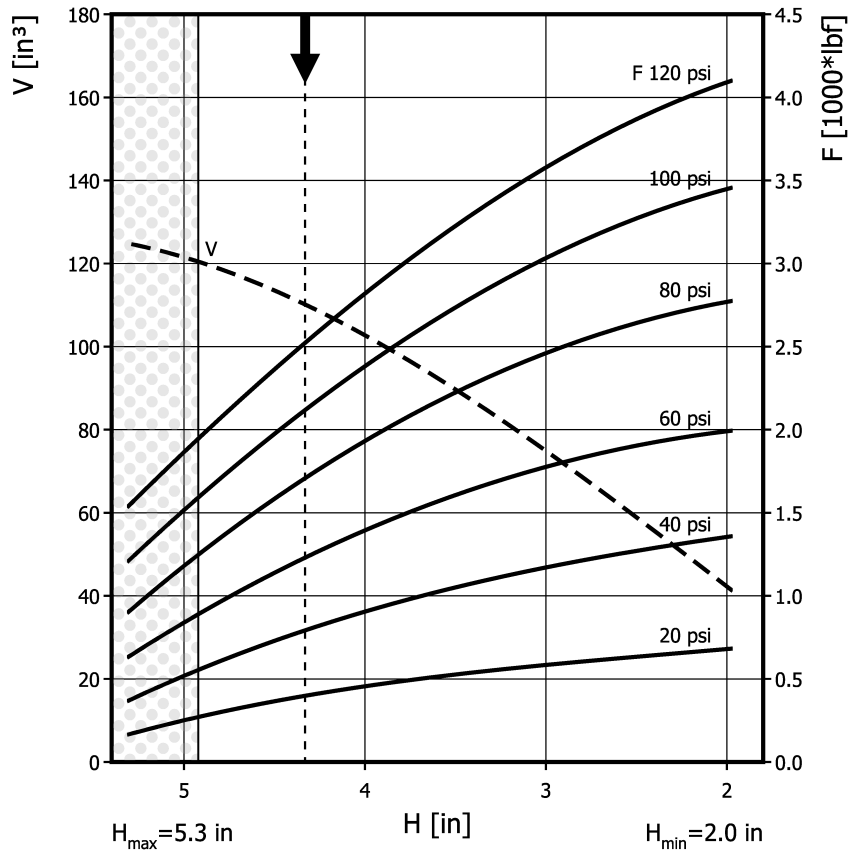
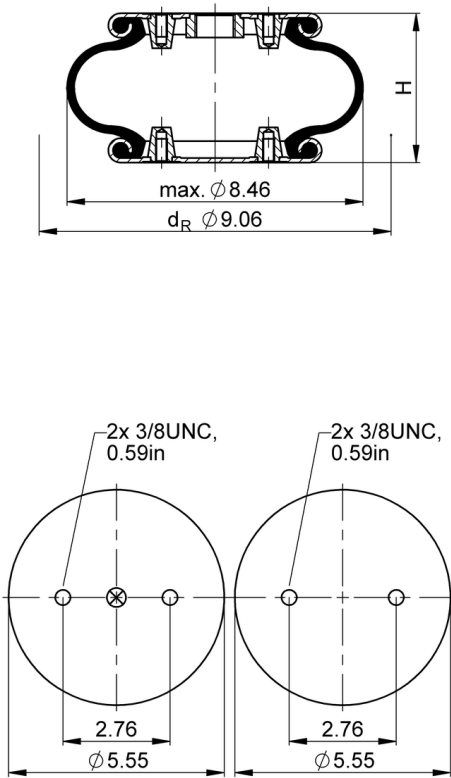


FS 120-9 CI

Single Convolution Air Actuator



Use in dotted range >4.92 in. only after consultation with ContiTech. Recommended height for vibration isolation: 4.33 in.

Purchase order data

Type	Order No.
rubber bellows only	72994
with crimped plates, 1/4 NPT air inlet A = 0 in. excentrical	75360
with crimped plates, 3/4 NPT air inlet A = 0 in. excentrical	75349

Additional types on request

Technical data

Min. pressure	0 psi
Return force to min height	≤ 45 lbf
Overall weight	4.4 lb

Vibration isolation - dynamic characteristic values

Design height H : recommended 4.33 inch, minimum 3.54 inch

Pressure p	[psi]	40	60	80	100	120	Vol. V [in ³]
Force (Load)	[lbf]	801	1240	1700	2130	2530	110
Spring rate	[lbf/in.]	709	949	1190	1430	1670	
Natural frequency	[Hz]	2.9	2.8	2.7	2.6	2.6	

Pneumatic application - static characteristic values

Force F [lbf]

Pressure p	[psi]	40	60	80	100	120	Vol. V [in ³]
Height H [in.]	4.5	730	1140	1580	1970	2370	110
	4.0	905	1400	1940	2390	2820	100
	3.5	1050	1610	2240	2740	3240	90
	3.0	1170	1770	2450	3020	3570	75
	2.5	1270	1900	2630	3260	3860	57



Service instructions
 3/8-16 UNC: max. 20 lbf ft
 1/4 NPT: max. 20 lbf ft
 3/4 NPT: max. 40 lbf ft

Measuring procedure: Room temperature / Force-height-data quasistatic / Dynamic data at 1 Hz