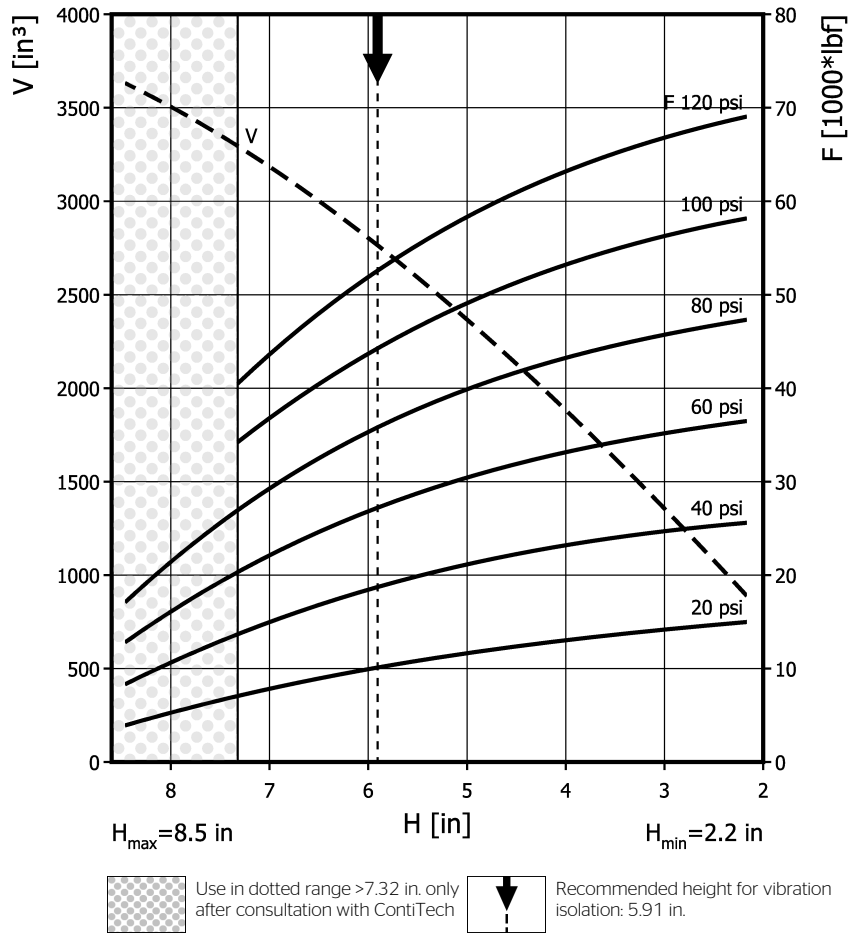
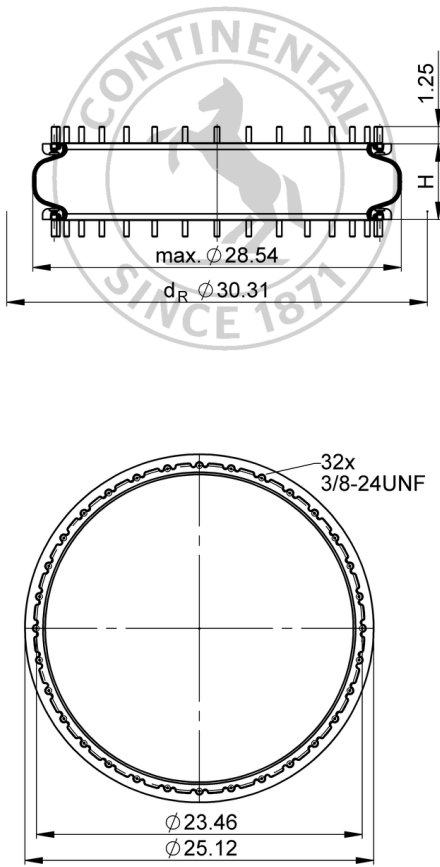


# FS 2870-16 RS

# Single Convolution Air Actuator



## Purchase order data

Type	Order No.
rubber bellows only	61788
with bead rings, 1 7/8in bolts, nuts and washers	75971

Additional types on request

## Technical data

Min. pressure	0	psi
Return force to min height	≤ 151	lbf
Overall weight	24.5	lb

### Vibration isolation - dynamic characteristic values

Design height H: recommended 5.91 inch, minimum 5.12 inch

Pressure p	[psi]	40	60	80	100	120	Vol. V [in.³]
Force (Load)	[lbf]	18400	27200	35900	44800	52000	2760
Spring rate	[lbf/in.]	7540	10400	13200	16000	18400	
Natural frequency	[Hz]	2.0	2.0	1.9	1.9	1.8	

### Pneumatic application - static characteristic values

Force F [lbf]

Pressure p	[psi]	40	60	80	100	120	Vol. V [in.³]
Height H [in.]	7.0	14900	22200	29400	36900	44000	3200
	6.0	18100	26400	35000	43400	51600	2800
	5.0	21100	30300	39700	49200	58300	2400
	4.0	23300	33200	43400	53100	63000	1900
	3.0	24700	35200	45700	56100	66800	1400



Service instructions  
3/8-24 UNF: max. 30 lbf ft

Measuring procedure: Room temperature / Force-height-data quasistatic / Dynamic data at 1 Hz