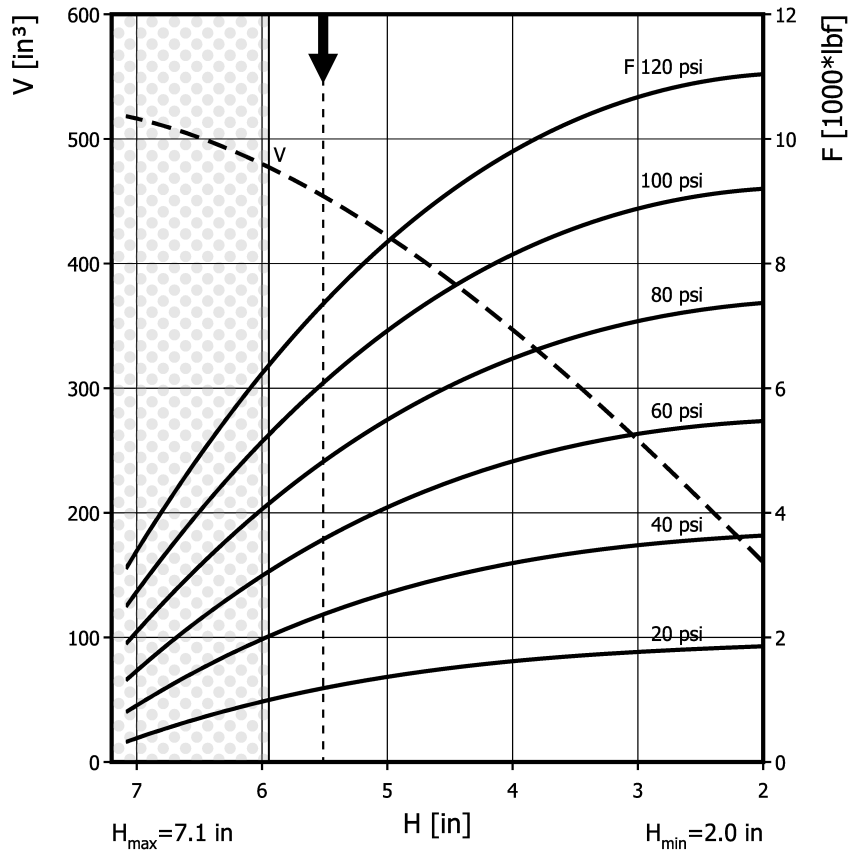
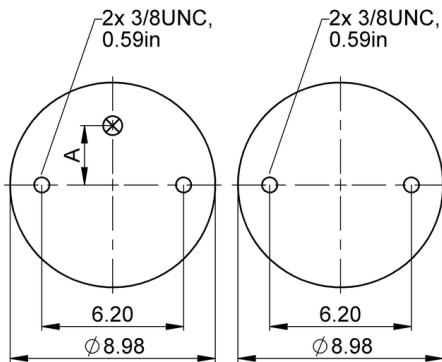
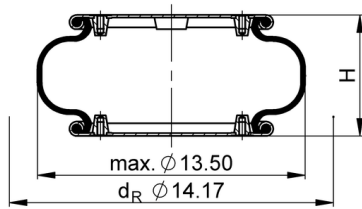


FS 330-14 CI

Single Convolution Air Actuator



Use in dotted range >5.94 in. only after consultation with ContiTech
 Recommended height for vibration isolation: 5.51 in.

Purchase order data

Type	Order No.
rubber bellows only	73771
with crimped plates, 1/4 NPT air inlet A = 2.87 in. excentrical	75425
with crimped plates, 3/4 NPT air inlet A = 2.87 in. excentrical	74099

Additional types on request

Technical data

Min. pressure	0 psi
Return force to min height	≤ 67 lbf
Overall weight	9.5 lb

Vibration isolation - dynamic characteristic values

Design height H: recommended 5.51 inch, minimum 4.72 inch

Pressure p [psi]	40	60	80	100	120	Vol. V [in.³]
Force (Load) [lbf]	2400	3610	4840	6070	7250	
Spring rate [lbf/in.]	1390	1960	2560	3190	3750	
Natural frequency [Hz]	2.4	2.3	2.3	2.3	2.2	

Pneumatic application - static characteristic values

Force F [lbf]

Pressure p [psi]	40	60	80	100	120	Vol. V [in.³]	
Height H [in.]	6.0	2010	3020	4090	5180		6290
	5.5	2350	3550	4800	6080		7330
	5.0	2670	4060	5470	6870		8310
	4.5	2970	4470	6020	7580		9110
	4.0	3190	4840	6470	8160		9770
	3.5	3360	5090	6830	8570		10300
	3.0	3490	5270	7080	8880		10700



Service instructions
 3/8-16 UNC: max. 20 lbf ft
 1/4 NPT: max. 20 lbf ft
 3/4 NPT: max. 40 lbf ft

Measuring procedure: Room temperature / Force-height-data quasistatic / Dynamic data at 1 Hz