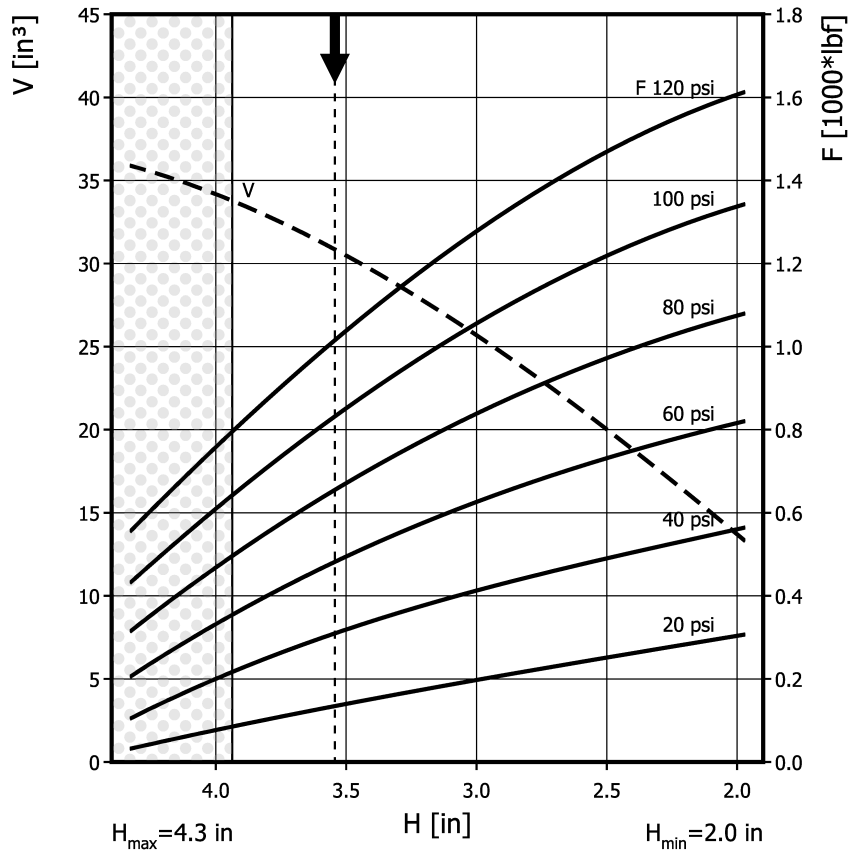
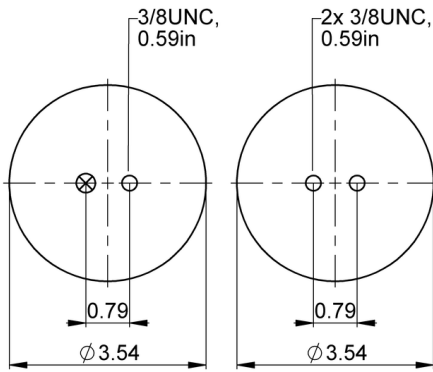
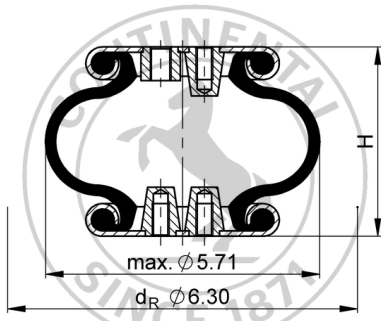


FS 40-6 CI

Single Convolution Air Actuator



Use in dotted range >3.94 in. only after consultation with ContiTech
 Recommended height for vibration isolation: 3.54 in.

Purchase order data

| | |
|--|-----------|
| Type | Order No. |
| rubber bellows only | 72467 |
| with crimped plates, 1/8 NPT air inlet A = 0.394 in. excentrical | 63029 |

Additional types on request

Technical data

| | | |
|----------------------------|------|-----|
| Min. pressure | 0 | psi |
| Return force to min height | ≤ 27 | lbf |
| Overall weight | 2.6 | lb |

Vibration isolation - dynamic characteristic values

Design height H: recommended 3.54 inch, minimum 2.76 inch

| Pressure p [psi] | 40 | 60 | 80 | 100 | 120 | Vol. V [in.³] |
|------------------------|-----|-----|-----|-----|------|---------------|
| Force (Load) [lbf] | 305 | 487 | 654 | 840 | 1030 | |
| Spring rate [lbf/in.] | 427 | 565 | 708 | 849 | 990 | |
| Natural frequency [Hz] | 3.7 | 3.4 | 3.3 | 3.1 | 3.1 | |

Pneumatic application - static characteristic values

Force F [lbf]

| Pressure p [psi] | 40 | 60 | 80 | 100 | 120 | Vol. V [in.³] | |
|------------------|-----|-----|-----|-----|------|---------------|----|
| Height H [in.] | 4.0 | 199 | 331 | 467 | 607 | | 34 |
| | 3.5 | 317 | 492 | 669 | 850 | | 30 |
| | 3.0 | 413 | 625 | 837 | 1050 | | 26 |
| | 2.5 | 489 | 730 | 969 | 1210 | 20 | |



Service instructions
 3/8-16 UNC: max. 20 lbf ft
 1/8 NPT: max. 15 lbf ft

Measuring procedure: Room temperature / Force-height-data quasistatic / Dynamic data at 1 Hz