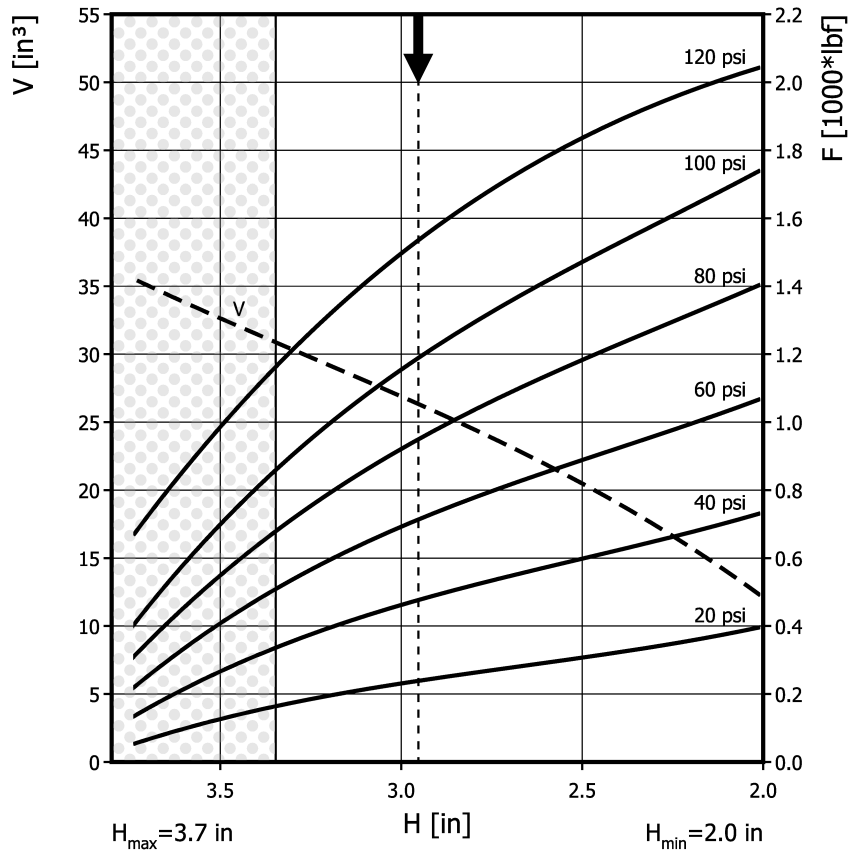
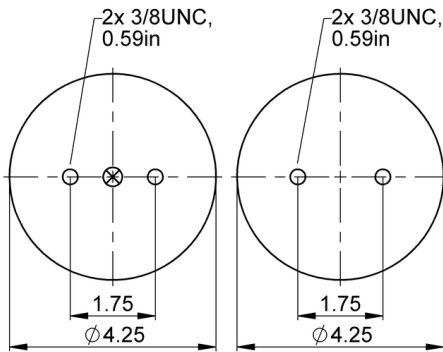
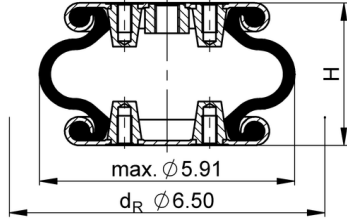


FS 50-5 CI

Single Convolution Air Actuator



Use in dotted range >3.35 in. only after consultation with ContiTech
 Recommended height for vibration isolation: 2.95 in.

Purchase order data

Type	Order No.
rubber bellows only	62242
with crimped plates, 1/4 NPT air inlet A = 0 in. excentrical	75246

Additional types on request

Technical data

Min. pressure	0	psi
Return force to min height	≤ 56	lbf
Overall weight	2.6	lb

Vibration isolation - dynamic characteristic values

Design height H: recommended 2.95 inch, minimum 2.56 inch

Pressure p	[psi]	40	60	80	100	120	Vol. V [in.³]
Force (Load)	[lbf]	479	699	947	1170	1420	
Spring rate	[lbf/in.]	807	1120	1420	1710	1950	
Natural frequency	[Hz]	3.9	3.8	3.7	3.6	3.6	

Pneumatic application - static characteristic values

Force F [lbf]

Pressure p	[psi]	40	60	80	100	120	Vol. V [in.³]
Height H [in.]	3.3	371	567	748	950	1140	
	3.0	459	689	913	1150	1380	
	2.8	537	794	1060	1330	1580	
	2.5	605	882	1180	1470	1760	
	2.3	665	970	1300	1610	1920	
	2.0	710	1050	1400	1750	2100	



Service instructions
 3/8-16 UNC: max. 20 lbf ft
 1/4 NPT: max. 20 lbf ft

Measuring procedure: Room temperature / Force-height-data quasistatic / Dynamic data at 1 Hz