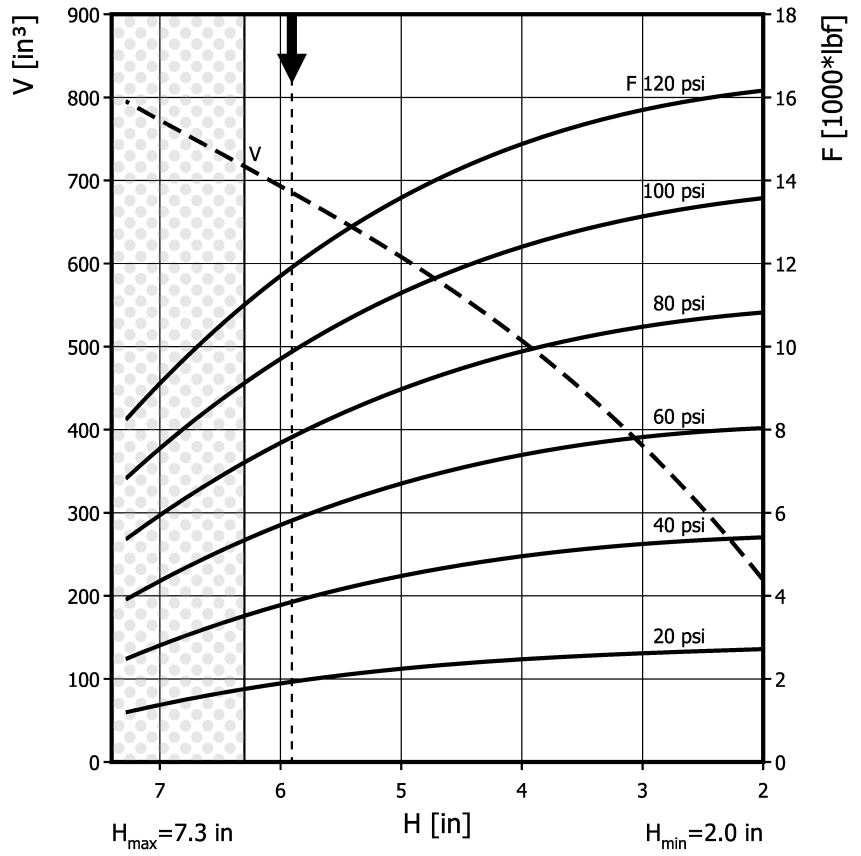
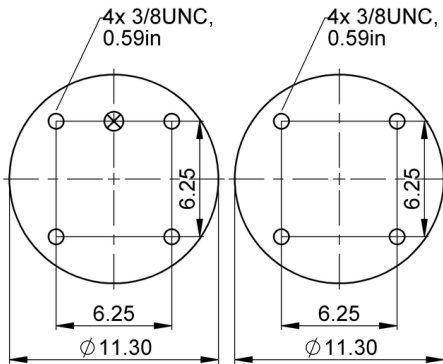
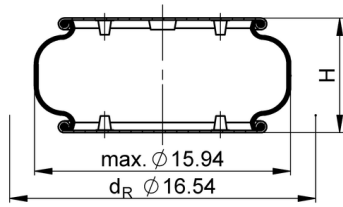


FS 530-14 CI

Single Convolution Air Actuator



Use in dotted range >6.30 in. only after consultation with ContiTech

Recommended height for vibration isolation: 5.91 in.

Purchase order data | Technical data

Type	Order No.
rubber bellows only	73772
with crimped plates, 1/4 NPT air inlet A = 3.13 in. excentrical	63545
with crimped plates, 3/4 NPT air inlet A = 3.13 in. excentrical	74096

Additional types on request

Min. pressure	0 psi
Return force to min height	≤ 67 lbf
Overall weight	13.4 lb

Vibration isolation - dynamic characteristic values

Design height H: recommended 5.91 inch, minimum 4.72 inch

Pressure p [psi]	40	60	80	100	120	Vol. V [in³]
Force (Load) [lbf]	3840	5800	7820	9830	11800	685
Spring rate [lbf/in.]	1980	2590	3280	4060	4630	
Natural frequency [Hz]	2.2	2.1	2.1	2.0	2.0	

Pneumatic application - static characteristic values

Force F [lbf]

Pressure p [psi]	40	60	80	100	120	Vol. V [in³]	
Height H [in.]	6.5	3340	5060	6840	8660	10500	740
	6.0	3760	5690	7650	9660	11600	690
	5.5	4140	6250	8380	10600	12700	650
	5.0	4450	6680	8960	11300	13500	610
	4.5	4720	7070	9460	11900	14300	560
	4.0	4940	7380	9870	12400	14900	510
	3.5	5120	7610	10200	12800	15300	450
	3.0	5260	7810	10500	13100	15700	380
	2.5	5350	7970	10700	13400	16000	300

Measuring procedure: Room temperature / Force-height-data quasistatic / Dynamic data at 1 Hz



Service instructions
 3/8-16 UNC: max. 20 lbf ft
 1/4 NPT: max. 20 lbf ft
 3/4 NPT: max. 40 lbf ft