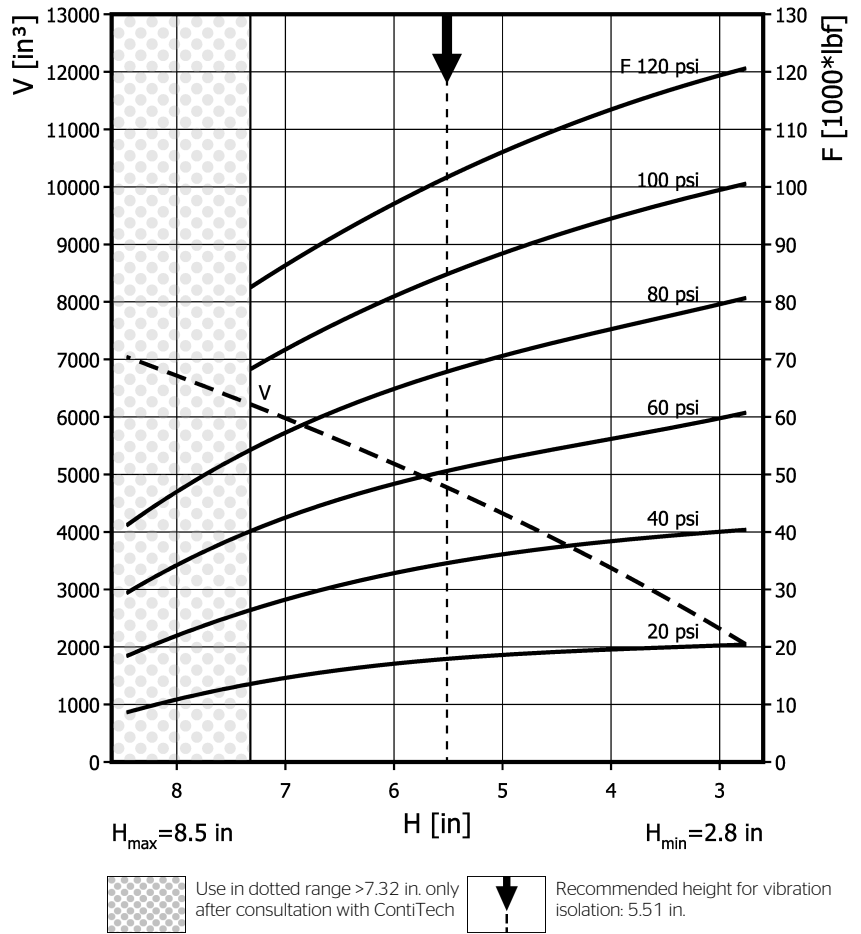
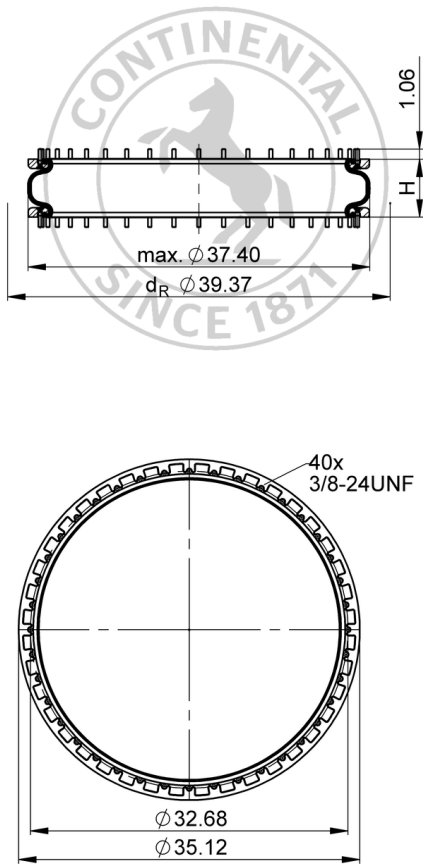


# FS 5450-16 RS

# Single Convolution Air Actuator



## Purchase order data

Type	Order No.
rubber bellows only	61785
with bead rings, 1 7/8in bolts, nuts and washers	75385

Additional types on request

## Technical data

Min. pressure	0 psi
Return force to min height	≤ 337 lbf
Overall weight	48.5 lb

### Vibration isolation - dynamic characteristic values

Design height H: recommended 5.51 inch, minimum 4.72 inch

Pressure p [psi]	40	60	80	100	120	Vol. V [in.³]
Force (Load) [lbf]	33400	50500	67600	84800	102000	4720
Spring rate [lbf/in.]	13700	19400	24900	30300	35600	
Natural frequency [Hz]	2.0	2.0	1.9	1.9	1.9	

### Pneumatic application - static characteristic values

Force F [lbf]

Pressure p [psi]	40	60	80	100	120	Vol. V [in.³]	
Height H [in.]	7.0	27900	42300	57100	71800	86100	6000
	6.5	30500	45100	61000	76400	91700	5600
	6.0	32500	47800	64500	80800	96900	5200
	5.5	34200	50500	67800	84900	102000	4700
	5.0	35900	52600	70400	88300	106000	4300
	4.5	37500	54600	73100	91600	110000	3800
	4.0	38900	56400	75600	94700	114000	3400
	3.5	39300	58100	77600	96900	116000	2900
	3.0	39800	59800	79500	99300	119000	2300

Measuring procedure: Room temperature / Force-height-data quasistatic / Dynamic data at 1 Hz



Service instructions  
3/8-24 UNF: max. 30 lbf ft