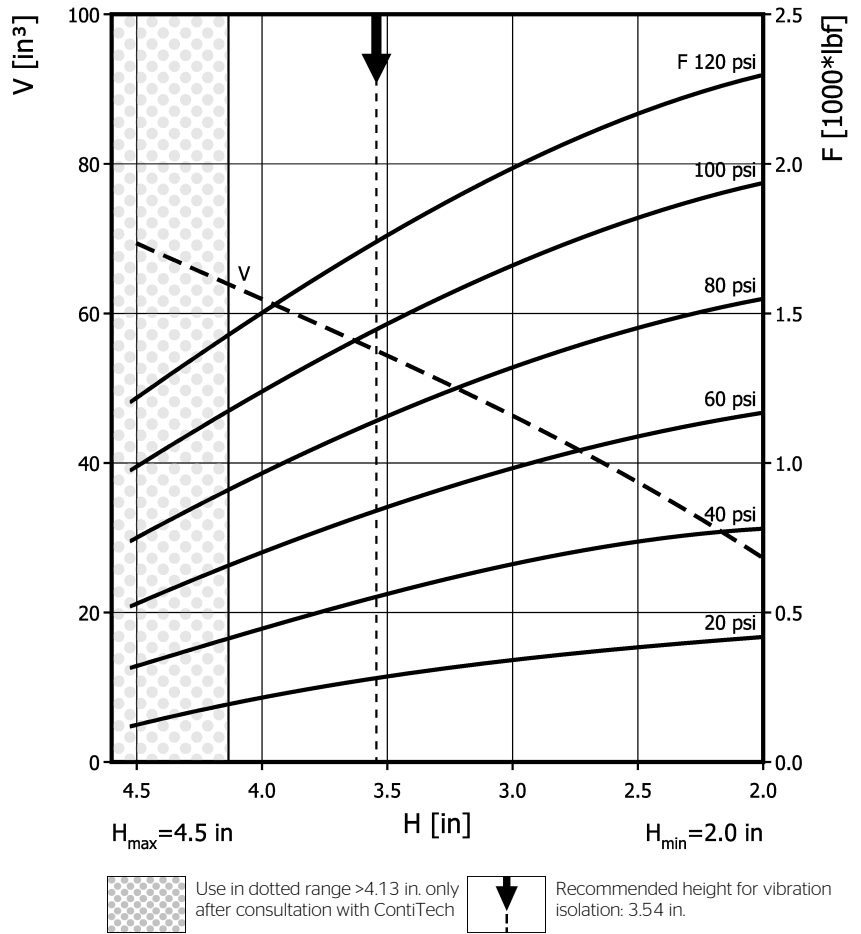
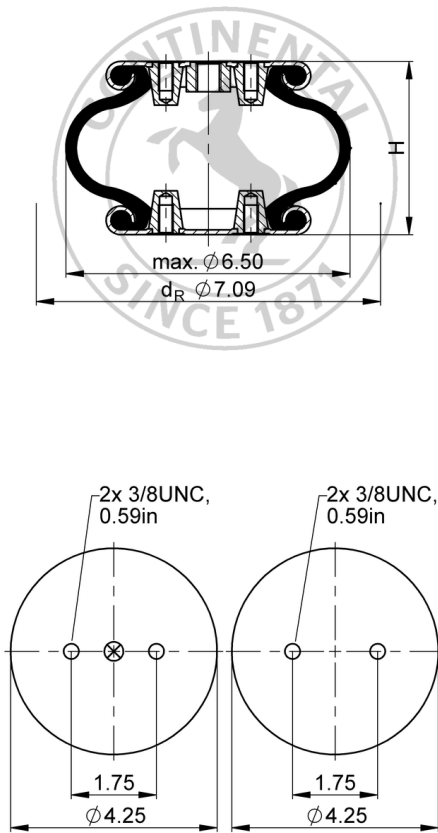


# FS 70-7 CI

# Single Convolution Air Actuator



Use in dotted range >4.13 in. only after consultation with ContiTech
 Recommended height for vibration isolation: 3.54 in.

## Purchase order data

Type	Order No.
rubber bellows only	60512
with crimped plates, 1/4 NPT air inlet A = 0 in. excentrical	75240

Additional types on request



Service instructions  
 3/8-16 UNC: max. 20 lbf ft  
 1/4 NPT: max. 20 lbf ft

## Technical data

Min. pressure	0	psi
Return force to min height	≤ 45	lbf
Overall weight	2.6	lb

### Vibration isolation - dynamic characteristic values

Design height H: recommended 3.54 inch, minimum 2.76 inch

Pressure p	[psi]	40	60	80	100	120	Vol. V [in.³]
Force (Load)	[lbf]	553	863	1170	1460	1800	55.2
Spring rate	[lbf/in.]	562	746	944	1160	1370	
Natural frequency	[Hz]	3.2	2.9	2.9	2.8	2.7	

### Pneumatic application - static characteristic values

Force F [lbf]

Pressure p	[psi]	40	60	80	100	120	Vol. V [in.³]
Height H [in.]	4.0	446	700	964	1240	1500	62
	3.5	560	853	1160	1460	1760	54
	3.0	659	980	1320	1660	1980	46
	2.5	736	1090	1450	1820	2160	37

Measuring procedure: Room temperature / Force-height-data quasistatic / Dynamic data at 1 Hz