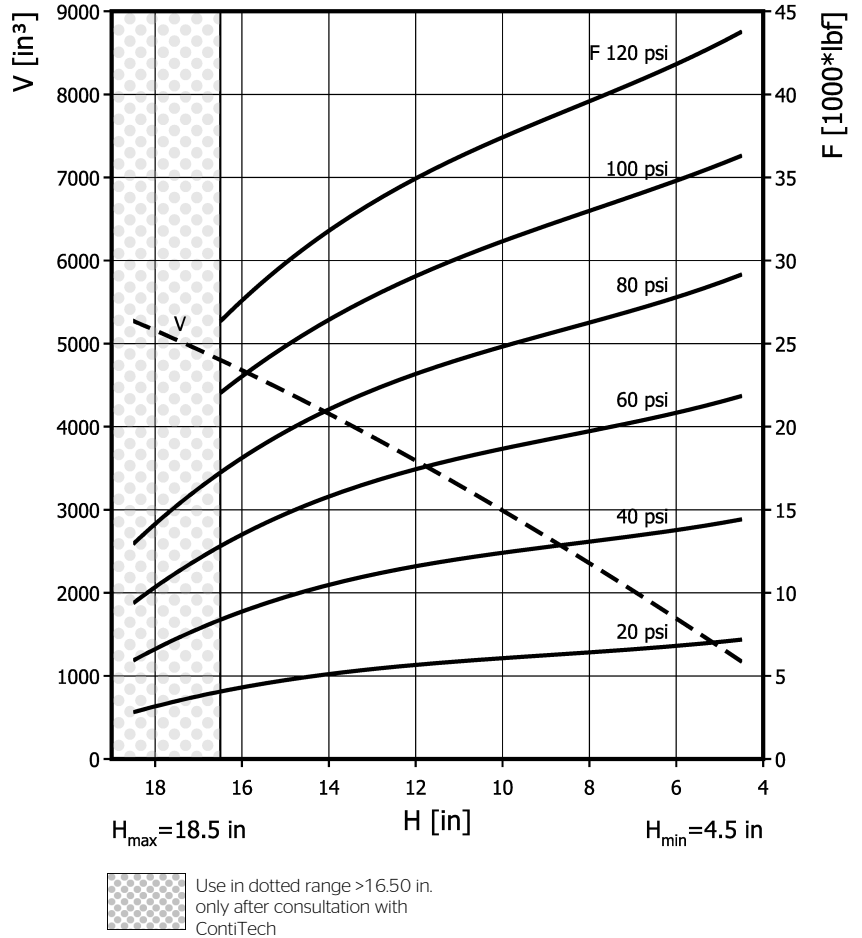
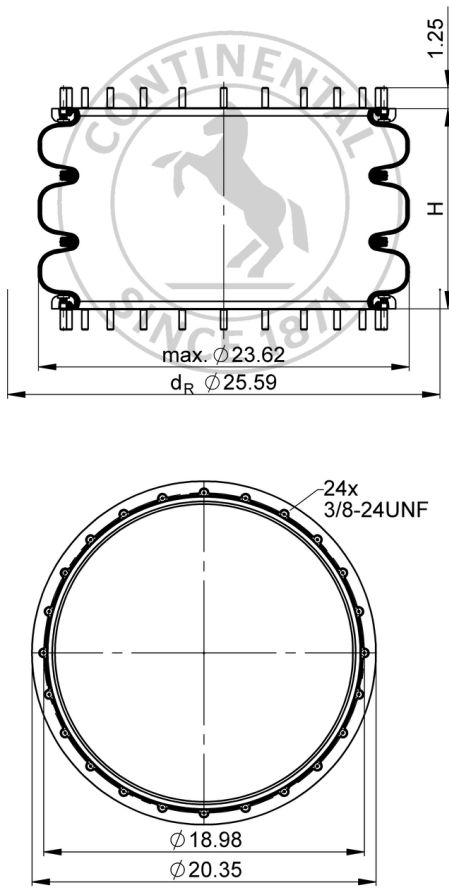


FT 1710-38 RS

Triple Convolution Air Actuator



Purchase order data

Type	Order No.
rubber bellows only	61784
with bead rings, 1 7/8in bolts, nuts and washers	75398

Additional types on request

Technical data

Min. pressure	0 psi
Return force to min height	≤ 90 lbf
Overall weight	32 lb

Pneumatic application - static characteristic values

Force F [lbf]							
Pressure p	[psi]	40	60	80	100	120	Vol. V [in.³]
Height H [in.]	15.0	9640	14700	19700	24800	29700	4400
	13.5	10700	16200	21500	27200	32700	4000
	12.0	11700	17300	23000	29000	34900	3600
	10.5	12400	18400	24400	30700	36800	3100
	9.0	12600	19200	25600	32000	38400	2700
	7.5	13200	20000	26700	33400	40000	2200
	6.0	13900	21000	27900	35000	42200	1700



Service instructions
3/8-24 UNF: max. 30 lbf ft

Measuring procedure: Room temperature / Force-height-data quasistatic / Dynamic data at 1 Hz