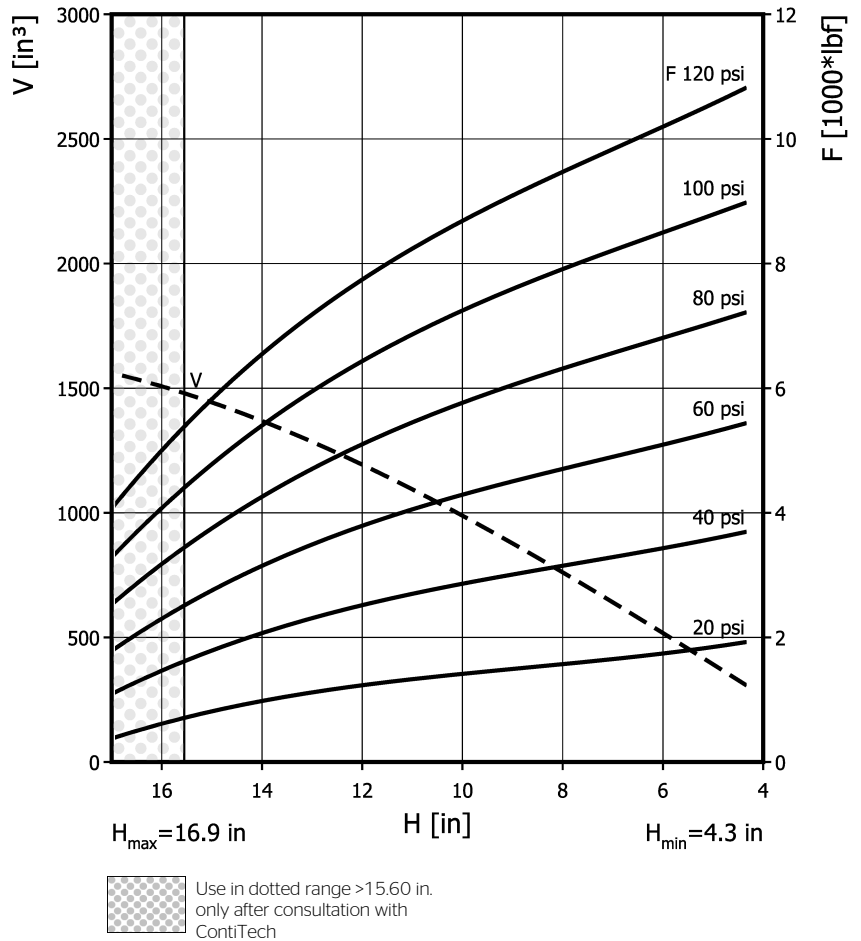
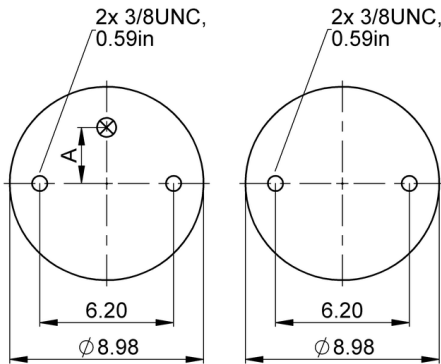
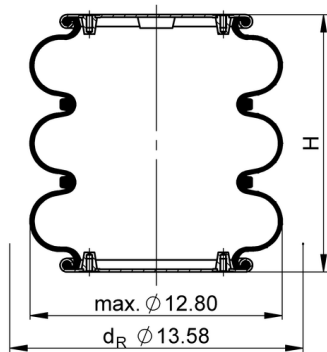


## FT 330-29 CI

## Triple Convolution Air Actuator


Purchase order data
Technical data

Type	Order No.
rubber bellows only	66726
with crimped plates, 1/4 NPT air inlet A = 2.87 in. excentrical	75430
with crimped plates, 3/4 NPT air inlet A = 2.87 in. excentrical	65978

Additional types on request

Min. pressure	0 psi
Return force to min height	≤ 90 lbf
Overall weight	13 lb

**Pneumatic application - static characteristic values**

Force F [lbf]	Pressure p [psi]	40	60	80	100	120	Vol. V [in.³]
Height H [in.]	15.0	1780	2750	3750	4780	5820	1400
	13.5	2170	3310	4480	5670	6850	1300
	12.0	2500	3780	5090	6420	7720	1200
	10.5	2780	4170	5600	7040	8450	1000
	9.0	3000	4480	6020	7550	9060	880
	7.5	3230	4810	6450	8080	9680	700
	6.0	3440	5120	6830	8530	10200	520



Service instructions  
 3/8-16 UNC: max. 20 lbf ft  
 1/4 NPT: max. 20 lbf ft  
 3/4 NPT: max. 40 lbf ft

**Measuring procedure:** Room temperature / Force-height-data quasistatic / Dynamic data at 1 Hz