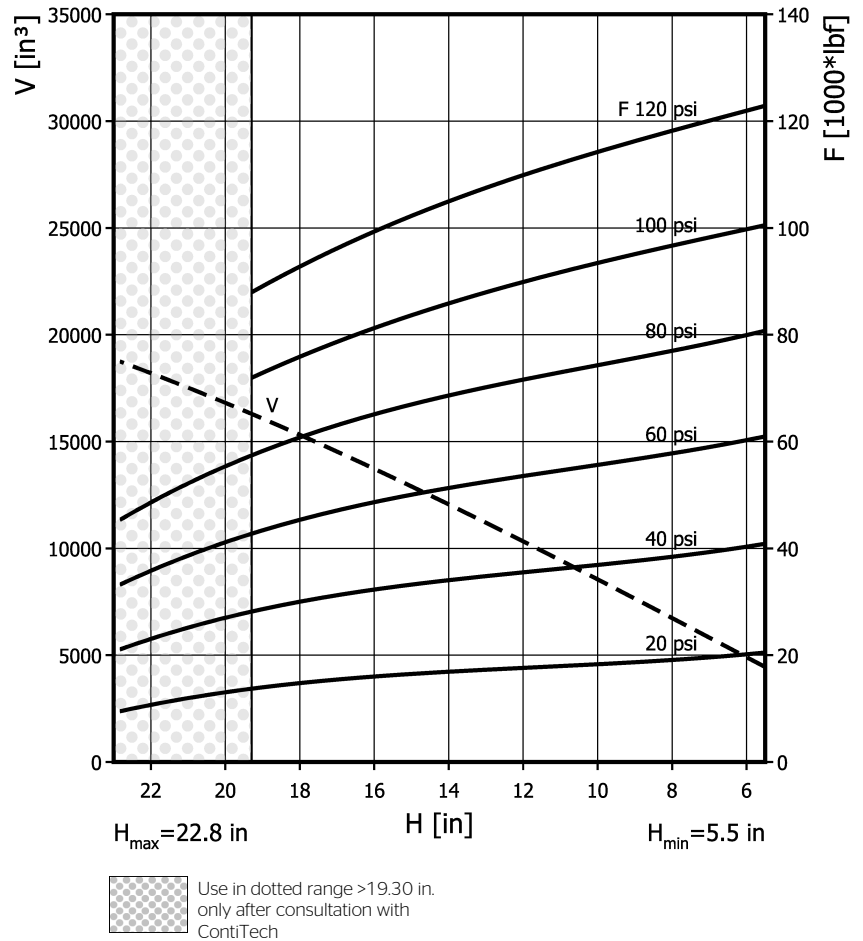
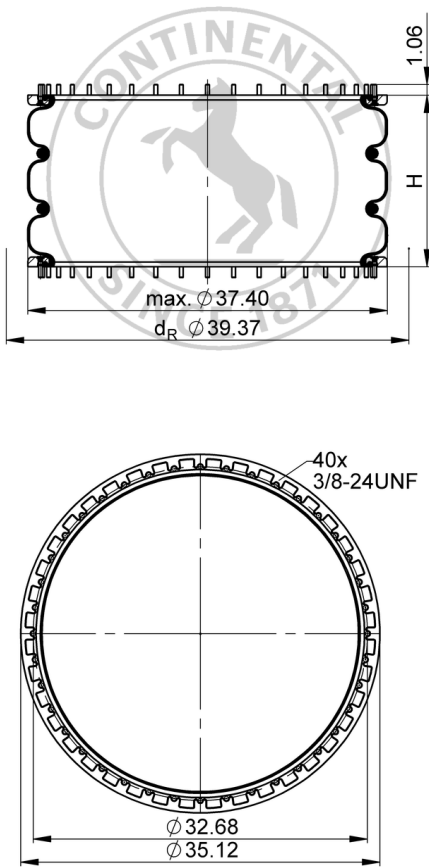


FT 5450-44 RS

Triple Convolution Air Actuator



Purchase order data

| | |
|--|-----------|
| Type | Order No. |
| rubber bellows only | 61787 |
| with bead rings, 1 7/8in bolts, nuts and washers | 75399 |

Additional types on request

Technical data

| | |
|----------------------------|------------|
| Min. pressure | 0 psi |
| Return force to min height | ≤ 1686 lbf |
| Overall weight | 97 lb |

Pneumatic application - static characteristic values

| Pressure p | [psi] | 40 | 60 | 80 | 100 | 120 | Vol. V [in.³] |
|----------------|-------|-------|-------|-------|-------|-------|---------------|
| Height H [in.] | 20.0 | 27500 | 41500 | 55700 | | | 17000 |
| | 17.5 | 30300 | 45900 | 61600 | 77200 | 94400 | 15000 |
| | 15.0 | 32800 | 49700 | 66700 | 83600 | 10200 | 13000 |
| | 12.5 | 35200 | 52900 | 70800 | 88900 | 10900 | 11000 |
| | 10.0 | 37100 | 55900 | 74400 | 93300 | 11400 | 8600 |
| | 7.5 | 39000 | 58600 | 78000 | 97600 | 11900 | 6300 |


 Service instructions
 3/8-24 UNF: max. 30 lbf ft

Measuring procedure: Room temperature / Force-height-data quasistatic / Dynamic data at 1 Hz