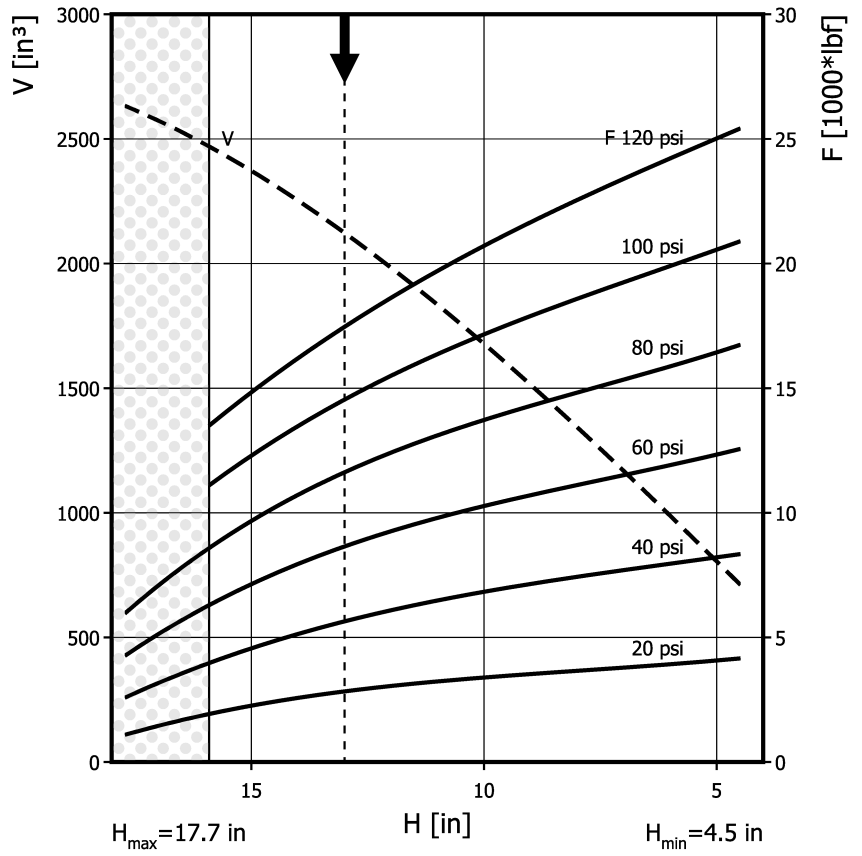
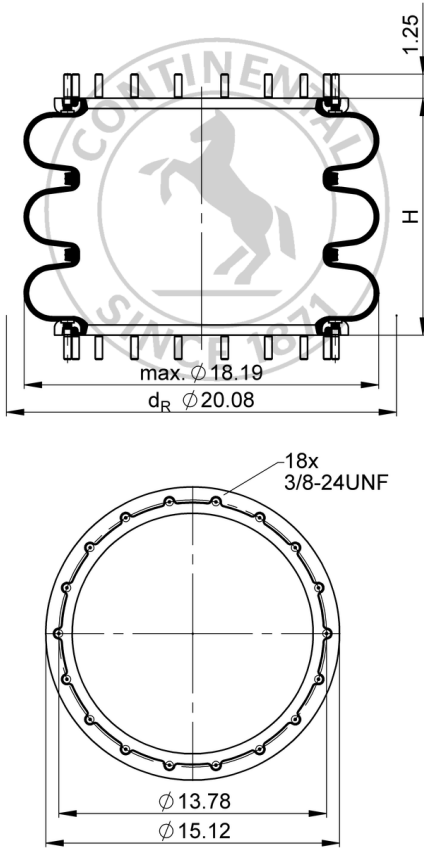


FT 960-34 RS

Triple Convolution Air Actuator



Use in dotted range >15.90 in. only after consultation with ContiTech

Recommended height for vibration isolation: 13.00 in.

Purchase order data

Type	Order No.
rubber bellows only	61777
with bead rings, 1 7/8in bolts, nuts and washers	65893

Additional types on request

Technical data

Min. pressure	0 psi
Return force to min height	≤ 135 lbf
Overall weight	20.5 lb

Vibration isolation - dynamic characteristic values

Design height H : recommended 13 inch, minimum 12.4 inch

Pressure p	[psi]	40	60	80	100	120	Vol. V [in ³]
Force (Load)	[lbf]	5720	8810	11700	14700	17100	2120
Spring rate	[lbf/in.]	1160	1640	2090	2610	3010	
Natural frequency	[Hz]	1.4	1.4	1.3	1.3	1.3	

Pneumatic application - static characteristic values

Force F [lbf]

Pressure p	[psi]	40	60	80	100	120	Vol. V [in ³]
Height H [in.]	16.5	3520	5660	7750			2500
	15.0	4520	7120	9600	12200	14800	2400
	13.5	5370	8270	11100	14000	16800	2200
	12.0	6080	9210	12400	15500	18600	2000
	10.5	6650	10000	13400	16800	20200	1800
	9.0	7130	10700	14300	17900	21600	1500
	7.5	7540	11300	15100	18900	22900	1200
	6.0	7990	12000	15900	19900	24300	980



Service instructions
3/8-24 UNF: max. 30 lbf ft

Measuring procedure: Room temperature / Force-height-data quasistatic / Dynamic data at 1 Hz