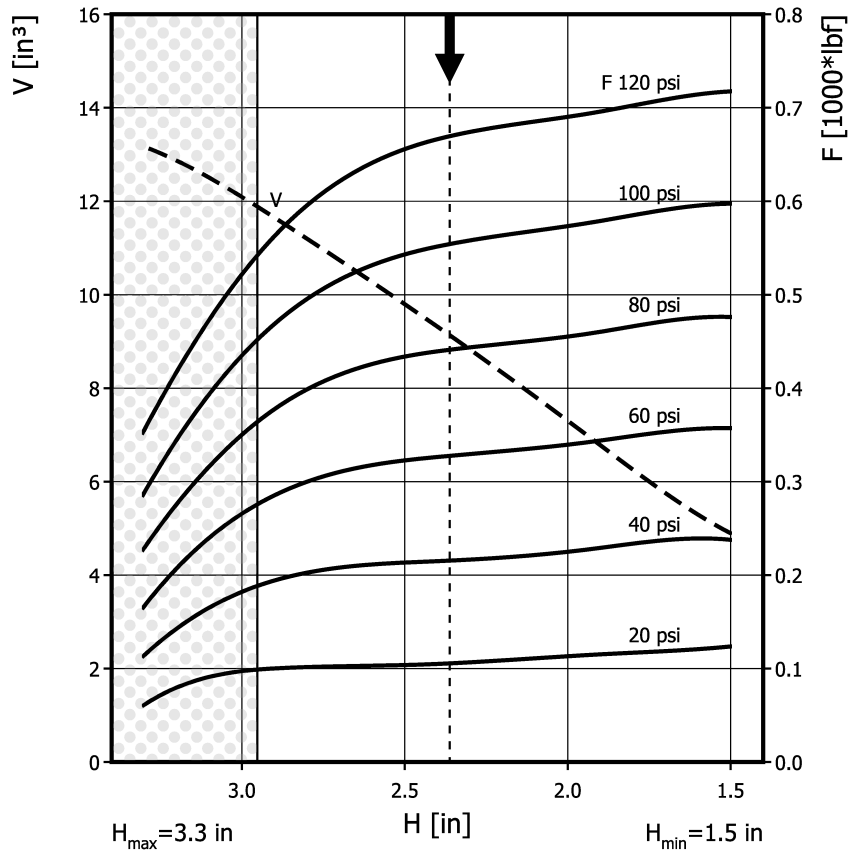
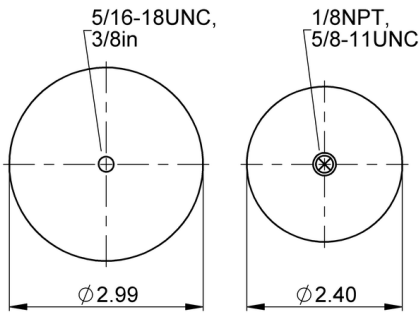
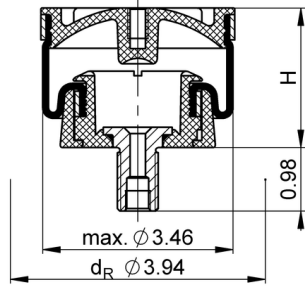


SK 37-6 P02

Sleeve Type Air Actuator



Use in dotted range >2.95 in. only after consultation with ContiTech
 Recommended height for vibration isolation: 2.36 in.

Purchase order data

Type	Order No.
with brass stud A = 0 in. excentrical	74105

Additional types on request

Technical data

Min. pressure	0	psi
Return force to min height	≤ 20	lbf
Overall weight	0.6	lb

Vibration isolation - dynamic characteristic values

Design height H: recommended 2.36 inch

Pressure p	[psi]	40	60	80	100	120	Vol. V [in.³]
Force (Load)	[lbf]	231	327	439	553	677	
Spring rate	[lbf/in.]	174	241	312	378	441	
Natural frequency	[Hz]	2.8	2.7	2.7	2.6	2.6	

Pneumatic application - static characteristic values

Force F [lbf]

Pressure p	[psi]	40	60	80	100	120	Vol. V [in.³]
Height H [in.]	3.0	180	262	347	431	519	
	2.5	211	319	429	537	647	
	2.0	226	341	456	574	691	
	1.5	238	358	477	598	718	



Service instructions
 5/16-18 UNC: max. 4 lbf ft
 5/8-11 UNC: max. 10 lbf ft

Measuring procedure: Room temperature / Force-height-data quasistatic / Dynamic data at 1 Hz