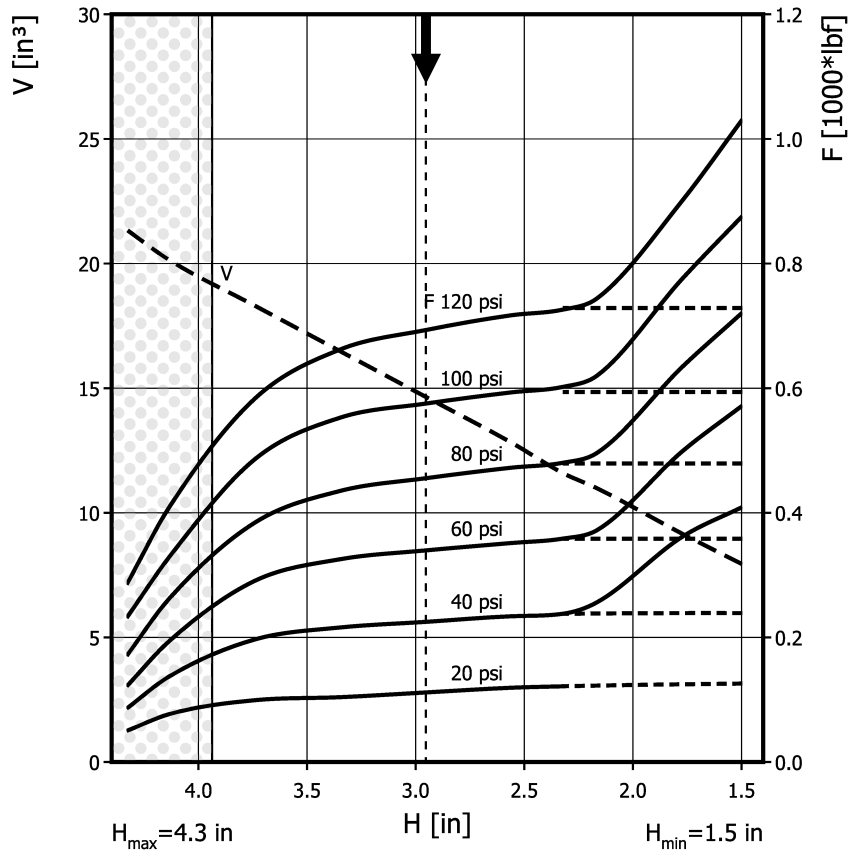
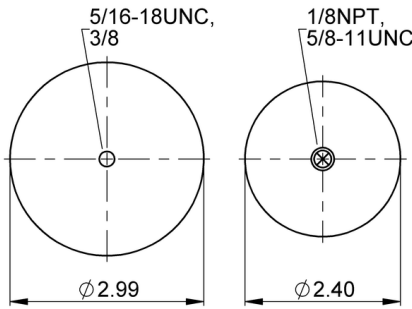
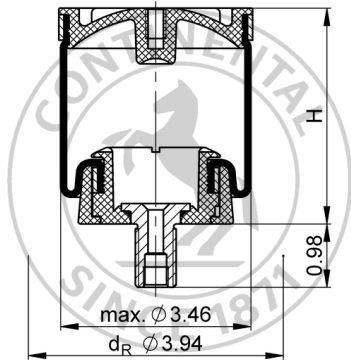


SK 37-8 P02

Sleeve Type Air Actuator



Use in dotted range >3.94 in. only after consultation with ContiTech
 Recommended height for vibration isolation: 2.95 in.

Purchase order data

Type	Order No.
with brass stud A = 0 in. excentrical	74325

Additional types on request

Technical data

Min. pressure	0	psi
Return force to min height	≤ 34	lbf
Overall weight	0.7	lb

Vibration isolation - dynamic characteristic values

Design height H: recommended 2.95 inch, guidance in lateral direction required

Pressure p	[psi]	40	60	80	100	120	Vol. V [in.³]
Force (Load)	[lbf]	226	346	451	575	699	
Spring rate	[lbf/in.]	162	218	266	312	361	
Natural frequency	[Hz]	2.6	2.6	2.5	2.4	2.3	

Pneumatic application - static characteristic values

Pressure p	[psi]	40	60	80	100	120	Vol. V [in.³]
Height H [in.]	3.5	208	312	415	527	631	
	3.0	224	338	453	573	690	
	2.5	235	353	474	595	719	



Service instructions
 5/16-18 UNC: max. 4 lbf ft
 5/8-11 UNC: max. 10 lbf ft

Measuring procedure: Room temperature / Force-height-data quasistatic / Dynamic data at 1 Hz