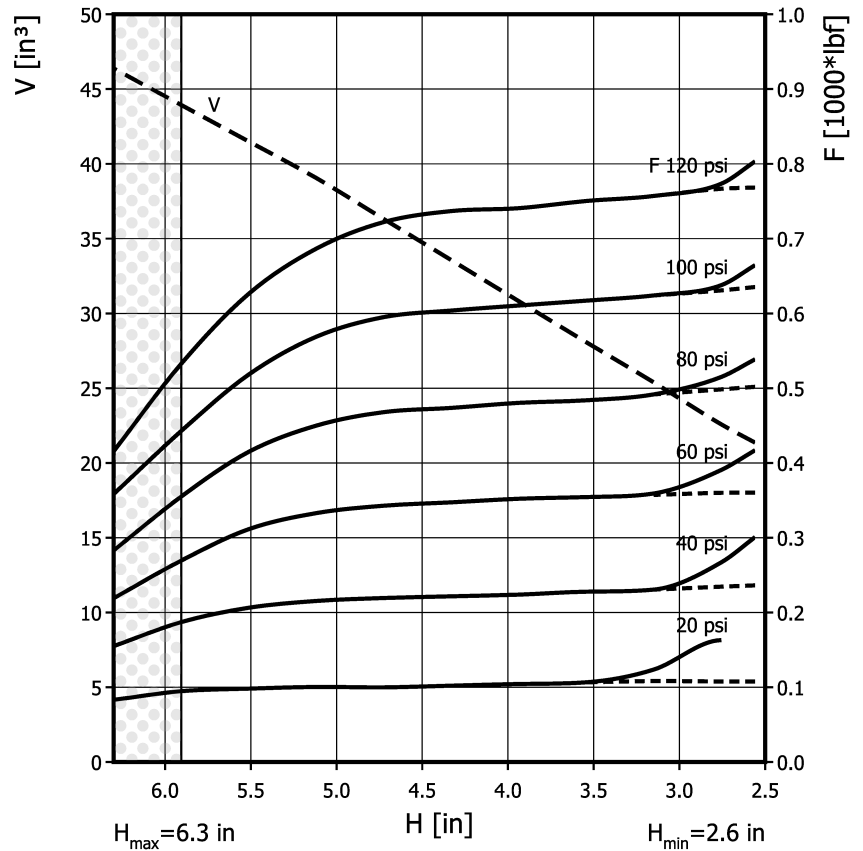
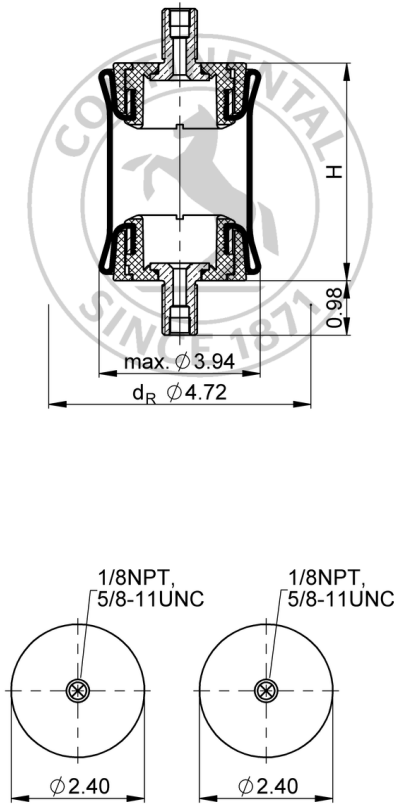


SZ 37-10 P02

Sleeve Type Air Actuator



Use in dotted range >5.91 in. only after consultation with ContiTech

Purchase order data

Type	Order No.
with brass stud, 1/8 NPT air inlet A = 0 in. excentrical	76510

Additional types on request

Technical data

Min. pressure	13.1 psi
Return force to min height	≤ 99 lbf
Overall weight	0.8 lb

Pneumatic application - static characteristic values

Force F [lbf]							
Pressure p	[psi]	40	60	80	100	120	Vol. V [in.³]
Height H [in.]	6.0	179	257	338	423	505	45
	5.5	207	312	416	520	628	41
	5.0	217	336	455	577	697	38
	4.5	221	345	471	600	731	35
	4.0	223	351	479	609	740	31
	3.5	228	355	485	618	751	28
	3.0	244	371	501	629	763	24



Service instructions
 5/8-11 UNC: max. 10 lbf ft
 1/8 NPT: Handtight plus one turn

Measuring procedure: Room temperature / Force-height-data quasistatic / Dynamic data at 1 Hz